

UNIKA 400 VINTAGE SOUS PLAN



Kitchen Sinks

Code: N156 S80

UNIKA R15 BOWL 400x400 SOUSPLAN VINTAGE



DETAILS

Edge/Installation Type	Undermount
Material	AISI 304 stainless steel
Texture	Vintage
Base	60 cm
Dimensions	440x440 mm
Standard fittings	Fixing hooks, gasket, drain, overflow and siphon, boxed packing
Mixer holes	No standard holes
Built-in hole	View technical data sheet
Drainer	No

Width 44 cm

Bowl dimension 400x400mm

Number of bowls 1 bowl

Waste fitting 3,5" drain

FEATURES

VINTAGE The Vintage finish gives the product a long-lived and elegant look, creating a surface that does not fear scratches.

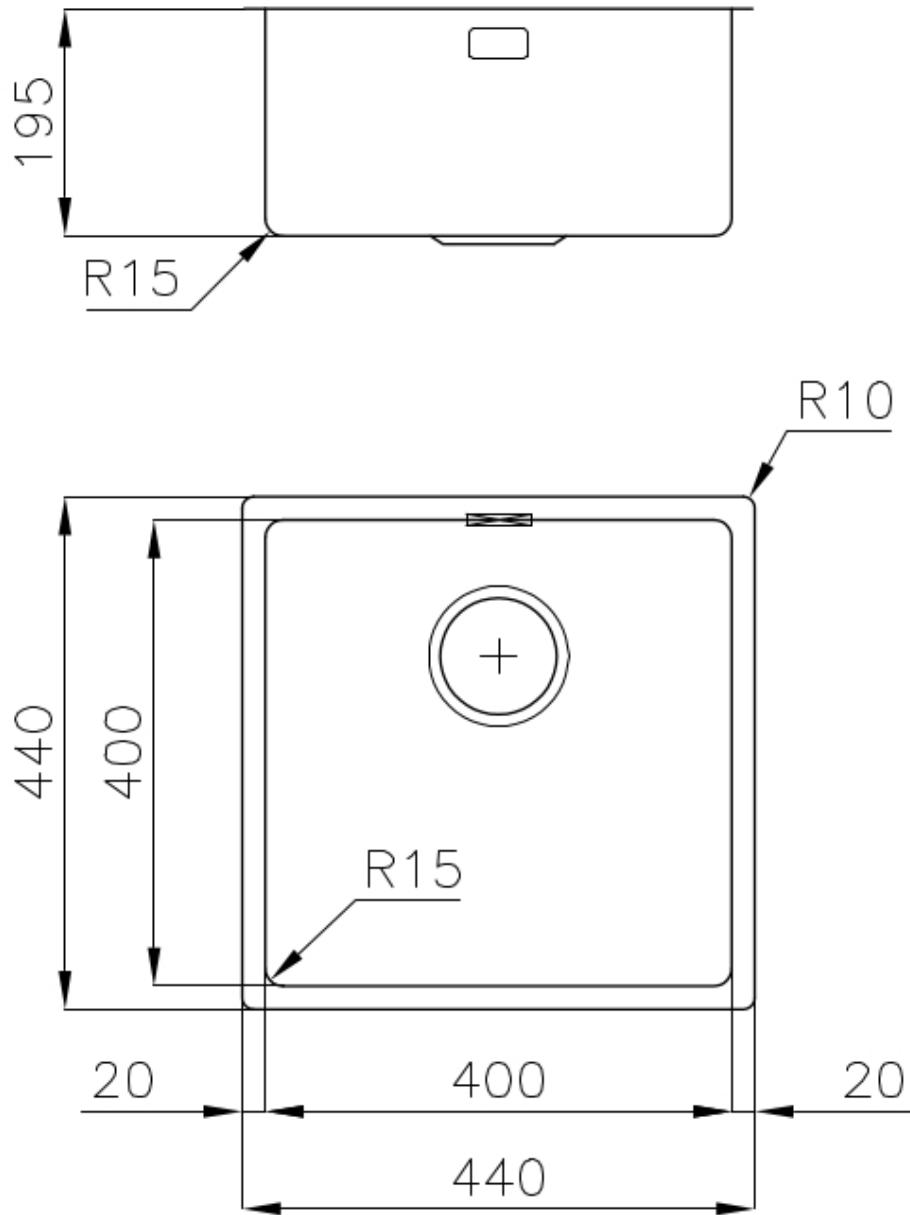
Perimetral overflow The overflow is always a security on the Foster sinks that prevents the overflow of water in case of oversights. The perimeter drain solution improves aesthetics thanks to its square and essential shape.

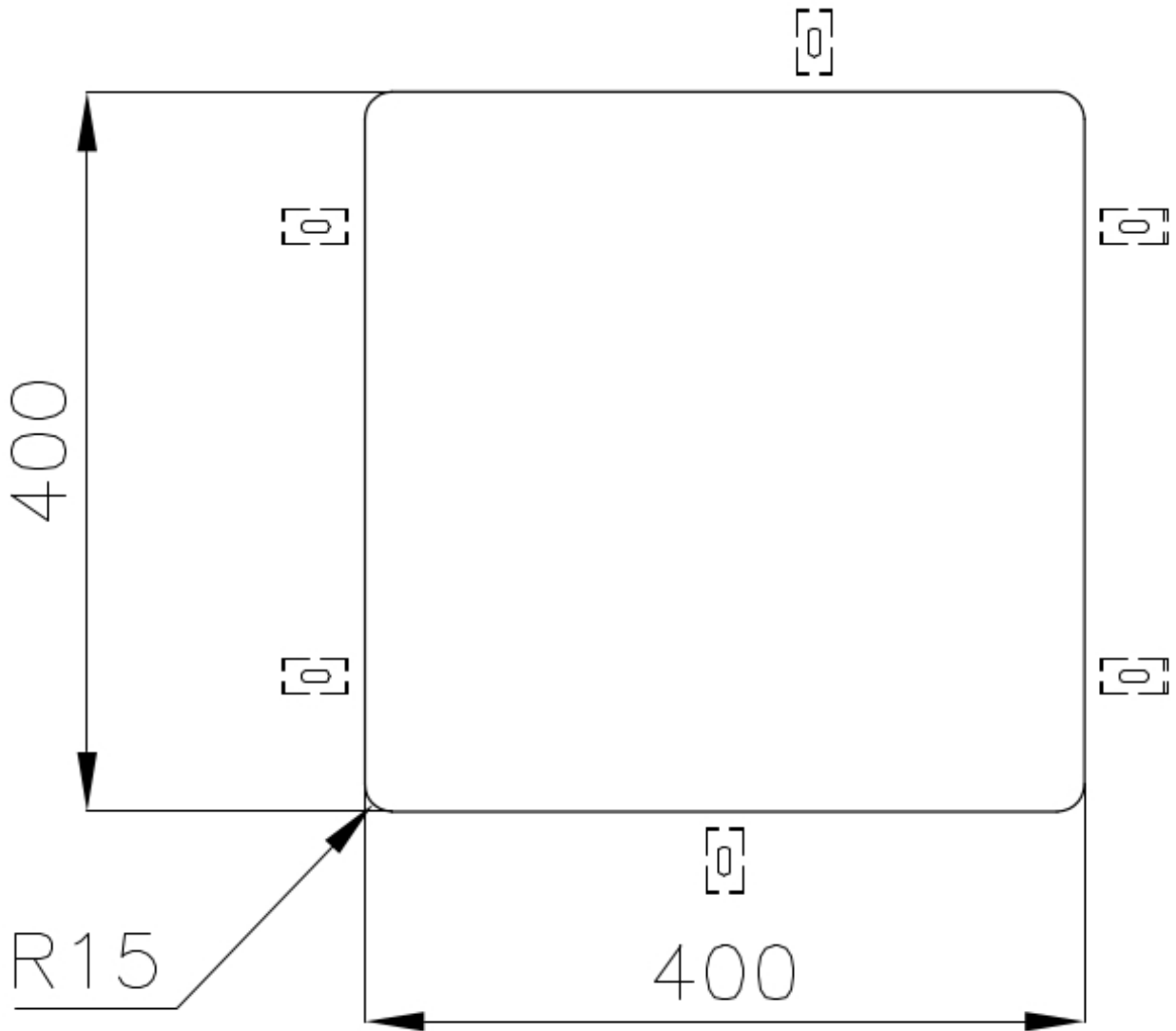
Small radius Bowls with squared shapes with a modern design and an increased capacity, for a minimal aesthetics connected with an extreme practicality.

High thickness 1mm thick steel. A significant thickness, which guarantees the maximum sturdiness and durability.

Basket 3,5" waste fitting The drain is equipped with a large 3.5" drain, with the practical basket cap that prevents the discharge of solid parts.

TECHNICAL DATA





Cut out size
Dimensioni per foratura top

GALLERY



OPTIONAL ACCESSORIES



CUVETTE PERFOREE INOX

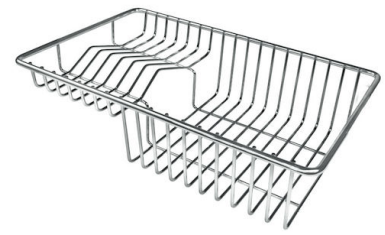
A154 F00

* only in combination with the accessory
A644 F04



CUVETTE PLASTIQUE BLANCHE

A153 A00



**GRILLE POR.ASSIETTES INOX
mm214x379**

A100 C03

* only in combination with the accessory
A644 A01



**GRILLE PORTE-ASSIETTES INOX
25x35**

A100 A54

* only in combination with the accessory
A644 F04



**PLANCHE DE DECOUPE CRYSTAL
23x41 CM**

A631 C00



**PLANCHE DE DECOUPE DOUBLE
HDPE**

A644 A01



**PLANCHE DE DECOUPE DOUBLE
IROKO**

A644 F04



**PLANCHE DE DECOUPE HDPE
27x42 CM**

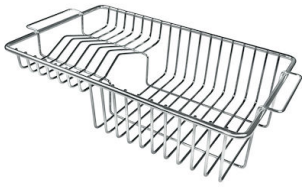
A657 F01



CUVETTE INOX PERFOREE

A151 F00

* only in combination with the accessory
A644 A01



GRILLE PORTE-ASSIETTES INOX
250x425
A100 B01



KIT RÂPES ET PLANCHE DE
DECOUPE HDPE
A159 A01
* only in combination with the accessory
A644 A01

OPTIONAL AUTOMATIC WASTE FITTINGS



VIDAGE FADE LIGHT
A407 A17



VIDAGE FADE PUSH INOX
A407 A16